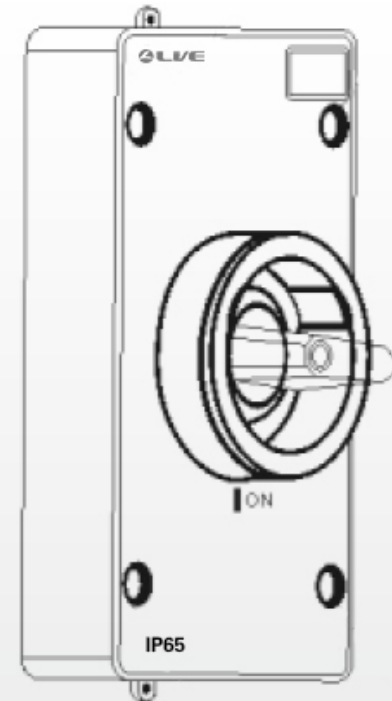


© Product installation and operation guide



DC ROTARY ISOLATOR



LIVE ELECTRICAL DISTRIBUTION UK LTD

ADD: Unit 4, Queensmead Place, Trafford Park, Manchester, M17 1PH

Tel: 0161 870 2592 Web: www.liveelectrical.co.uk

E-mail: sales@liveelectrical.co.uk



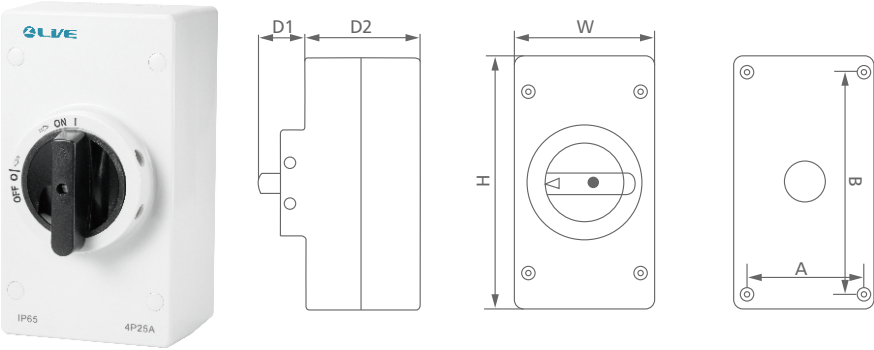
Ensure that these instructions are made available to the end user for future reference.

DC ROTARY ISOLATOR SPECIFICATION

Unit Dimension

Part No.	Description	Box Qty	Dimensions					
			W	H	H	D2	A	B
RI16DC	4 Pole 16A DC Rotary Isolator	20	100	180	180	81	84	158
RI20DC	4 Pole 20A DC Rotary Isolator	20	100	180	180	81	84	158
RI25DC	4 Pole 25A DC Rotary Isolator	20	100	180	180	81	84	158
RI32DC	4 Pole 32A DC Rotary Isolator	20	100	180	180	81	84	158

Dimensions

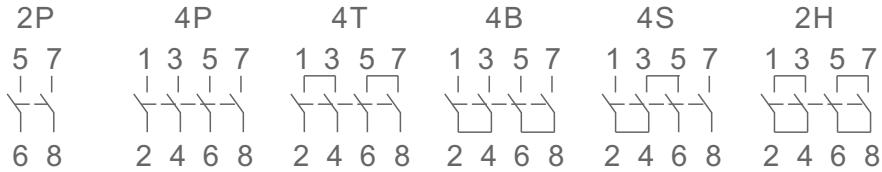


Technical Data

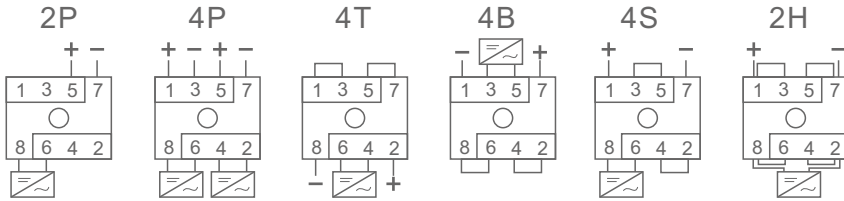
- IP Rating IP65
- Manufactured to BS EN 60947-3
- Cable entry knockout on enclosures
- Tough durable thermoplastic construction
- Interlock front cover can only be removed when in the OFF position

RI16DC				RI25DC				RI32DC			
Ue	2P/4P	4T/B/S	2H	Ue	4P	4T/B/S	2H	Ue	4P	4T/B/S	2H
300V	16A	16A	35A	300V	25A	25A	40A	300V	32A	32A	45A
600V	16A	16A	35A	600V	25A	25A	40A	600V	27A	32A	40A
800V	12A	16A	/	800V	15A	25A	/	800V	17A	32A	/
1000V	8A	16A	/	1000V	9A	25A	/	1000V	10A	32A	/

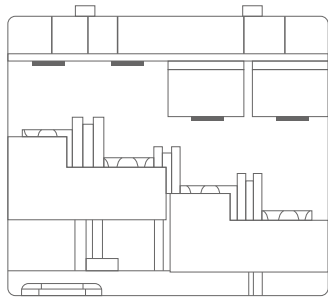
Wiring Diagram



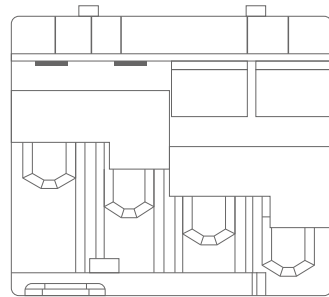
Switching Examples



Bridging links installation



incorrect installation

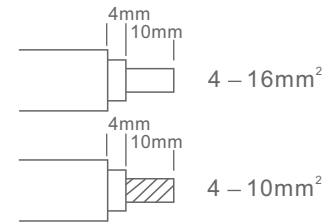


correct installation

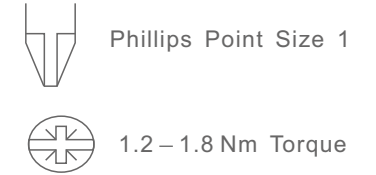
NOTE:

"please note that all connections(includ ing bridging link connections)should be tightening before energization

Cable Cross Sections



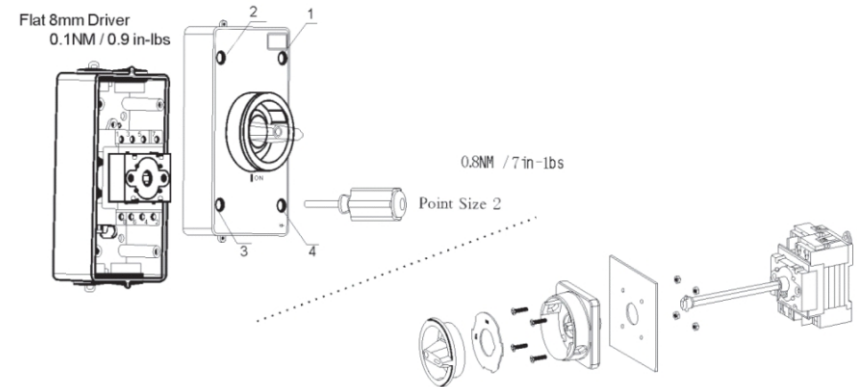
Terminal Screw Tightening



NOTE:

- Ensure all electrical connections (including factory connections)are tight, transport may loosen.
- Before use switch on and o several times ensuring the“SNAP”action can be heard and felt.

Dimensions



Warning

Verify that all connections(including bridging link connections) are suitable for the rated current, prepared to ensure only conductive parts are clamped and tightened to the manufacturers required torque before energization

Be sure markings are not inverted.

Rotate Handle to the "OFF" position and locate shaft into switch body.

Tighten screws 1,3,2,4: :IN THAT ORDER::
